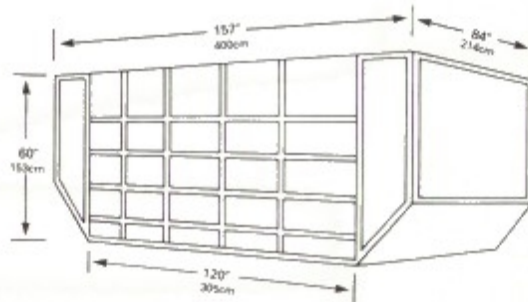


Contenedores Aéreos



LD6 ALF

Wide body aircraft. Full width lower deck container.

Suitable for following aircraft:

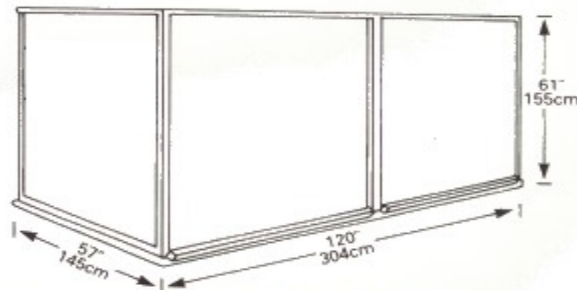
■ Boeing 747 & 777 ■ DC10

Volume 310cu.ft. (8.8cu.m.)

Tare weight 172kg/378lbs

Max gross weight 747/DC10: 3175kg/6985lbs

External dimensions 41" x 160" x 46" x 125" x 64"



LD11 ALP/PLA

Wide body aircraft. ALP: Full width lower deck container.

PLA: Full width lower deck pallet.

Suitable for following aircraft:

■ Boeing 747 & 777 ■ DC10

Volume ALP 240cu.ft. (6.8cu.m.)

Tare weight 185kg/407lbs

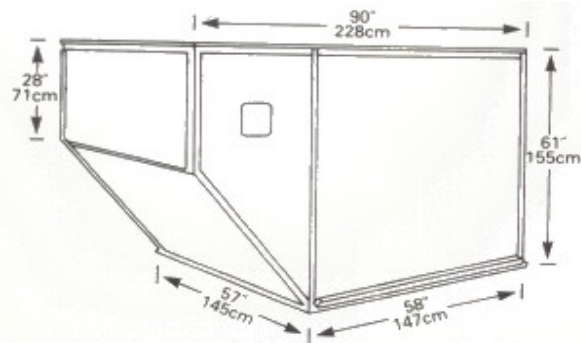
Max gross weight DC10/747: 3176kg/697lbs

Volume PLA 245cu.ft. (7.0cu.m.)

Tare weight 73kg/161lbs

Max gross weight DC10/747: 3176kg/6987lbs

External dimensions 60.4" x 64" x 125"



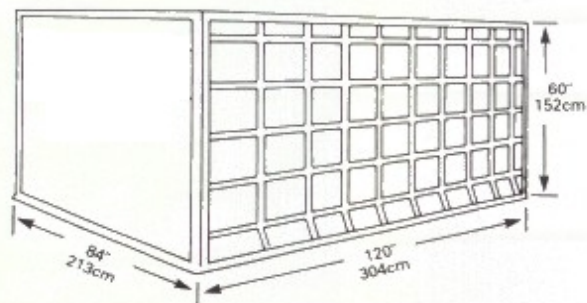
LD1 AKC

Wide body aircraft. Half width lower deck container.

Suitable for following aircraft:

■ Boeing 747 & 767

Volume	170cu.ft. (4.8cu.m.)
Tare weight	85kg/187lbs
Max gross weight	1588kg/3493lbs
External dimensions	92" x 30" x 64" x 61.5" x 60.4"



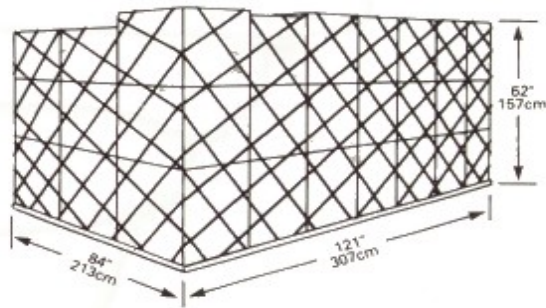
LD9 AAP

Wide body aircraft. Full width lower deck container.

Suitable for following aircraft:

■ Boeing 747 & 777 ■ DC10

Volume	350cu.ft. (10.0cu.m.)
Tare weight	200kg/440lbs
Max gross weight	747/DC10: 6033kg/13300lbs
	777/DC10: 4626kg/10501lbs
External dimensions	88" x 62" x 125"

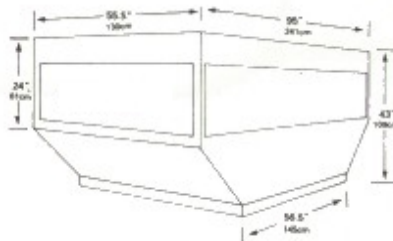


PAP/PIP/PAG

Wide body aircraft. Full width pallet with net.
Suitable for following aircraft:

■ Boeing 747, 767 & 777 ■ DC10

Volume	420cu.ft. (11.9cu.m.) (with allowable overhang)
Tare weight	120kg/264lbs
Max gross weight	747/DC10: 6033kg/13300lbs 767: 5103kg/11227lbs 777/DC10: 4626kg/10501lbs
External dimensions	88" x 64" x 125"

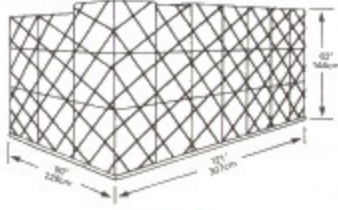


AKH

Wide body aircraft. Full width lower deck container.
Suitable for following aircraft:

■ Airbus A320

Volume	120cu.ft. (3.4cu.m.)
Tare weight	76kg/167lbs
Max gross weight	1134kg/2499lbs
External dimensions	26.4" x 96" x 46" x 61.5" x 60.4"



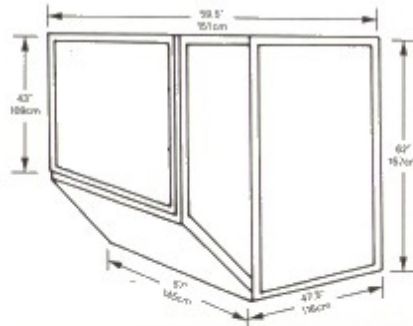
PMC

Wide body aircraft. Full width pallet with net.

Suitable for following aircraft:

■ Boeing 747, 767 & 777

Volume	450cu.ft. (12.7cu.m.)
Tare weight	130kg/286lbs
Max gross weight	747: 5050kg/11110lbs
	767: 5103kg/11227lbs
	777/DC10: 5103kg/11584lbs
External dimensions	96" x 64" x 125"



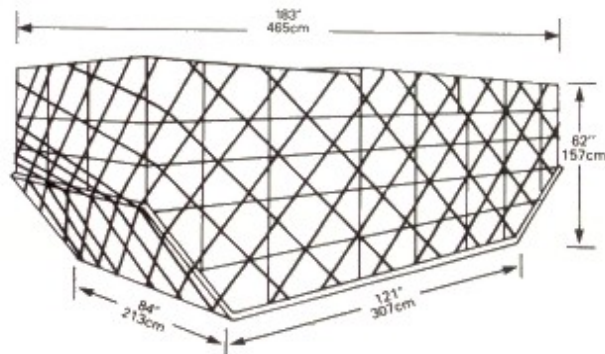
LD2 APE

Wide body aircraft. Half width lower deck container.

Suitable for following aircraft:

■ Boeing 767

Volume	120cu.ft. (3.5cu.m.)
Tare weight	70kg/154lbs
Max gross weight	1225kg/2700lbs
External dimensions	45" x 61.5" x 64" x 47" x 60.4"



XAW

Wide body aircraft. Full width pallet with net.

Suitable for following aircraft:

■ Boeing 747 & 777 ■ DC10

Volume

747: 490cu.ft. (14.0cu.m.)

DC10: 420cu.ft. (11.9cu.m.)

Tare weight

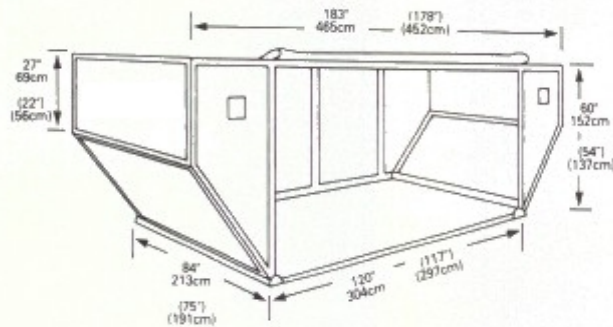
170kg/374lbs

Max gross weight

747/DC10: 5000kg/11000lbs

External dimensions

88" x 64" x 125"



LD29 AAU

Wide body aircraft. Full width lower deck container.

Suitable for following aircraft:

■ Boeing 747

Volume

485cu.ft.

Tare weight

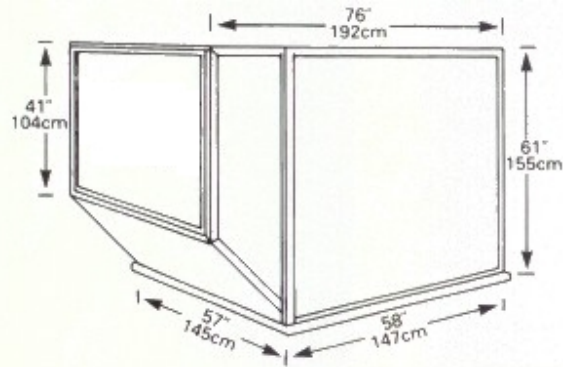
265kg/593lbs

Max gross weight

4626kgs/10501lbs

External dimensions

Except one position (6033 kgs)
186" x 29" x 62" x 125" x 88"

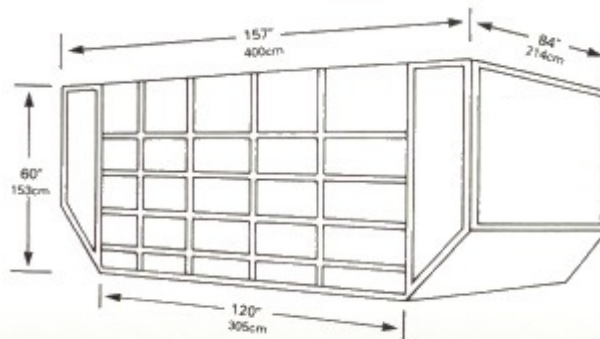


LD3 AKE

Wide body aircraft. Half width lower deck container.
Suitable for following aircraft:

■ Boeing 747, 767 & 777 ■ DC10

Volume	150cu.ft. (4.2cu.m.)
Tare weight	72kg/158lbs
Max gross weight	1588kg/3493lbs
External dimensions	79" x 43" x 64" x 61.5" x 60.4"

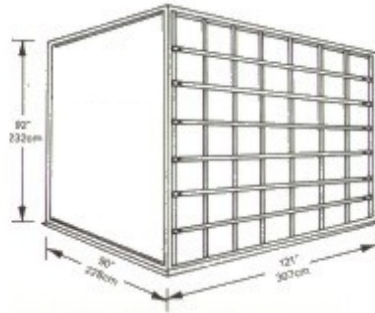


LD26 AAF

Suitable for following aircraft:

■ Boeing 747 & 777 ■ DC10

Volume	425cu.ft. (12cu.m.)
Tare weight	286kg/6033lbs
Max gross weight	747/DC10: 6033kg/13300lbs 777/DC10: 4626kg/10501lbs
External dimensions	160" x 66" x 125" x 88"



AMA

Wide body aircraft. AMA: Main deck pallet container.
Suitable for following aircraft:

■ Boeing 747F

Volume	580cu.ft. (16.4cu.m.)
Tare weight	350kg/770lbs
Max gross weight	6804kg/15000lbs
External dimensions	96" x 96" x 125"